

SPECIFICATION

BX-SW1 LIQUID SENSOR



CATALOG

Brief Introduction	3
Functions	3
Installing	4
Connection definition	5
Technical specification	6

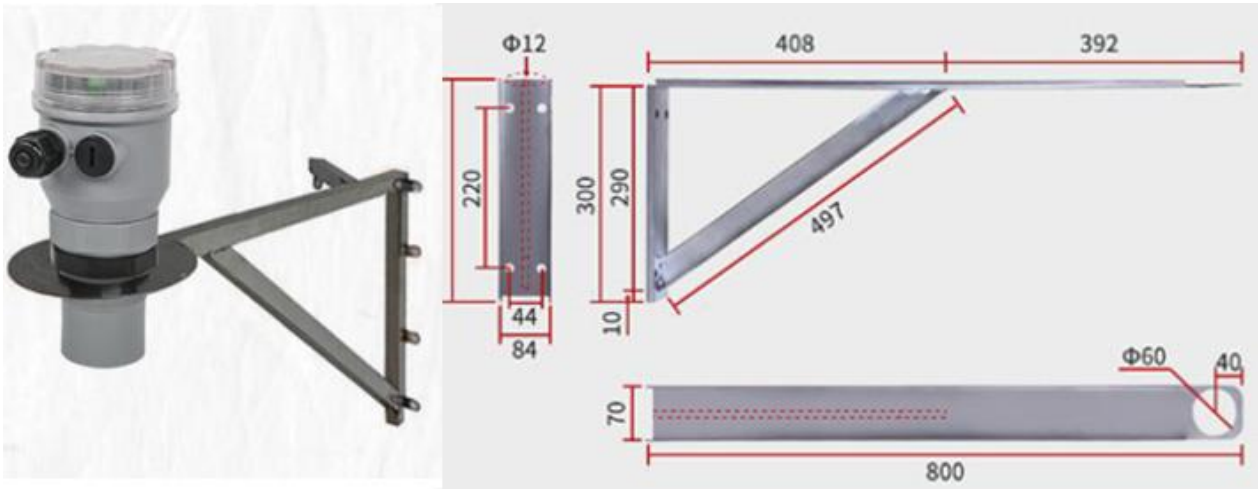
Brief Introduction

This product adopts exporting industrial chip, digital thermometer compensation, etc. It is anti-interference, users can set upper/lower limit node and online output adjustment. We use plastic ABC waterproof shell, it is very solid.

Functions

- ◆ Simple construction, and convenient for installing.
- ◆ There' s obvious advantages for satisfying future requirements.
- ◆ Back-up and restore.
- ◆ Can test many physical quantity.
- ◆ Can adjust analog quantity output randomly.
- ◆ Set origin and destination of FS (Full Scale).
- ◆ Support customized serial port data format.
- ◆ Support three/four-wire system.
- ◆ Choice for appreciation/difference value, users can measure distance and level.
- ◆ Launch pulse strength from 0~100.
- ◆ Support Chinese and English.
- ◆ Compatible with BX full color controller.
- ◆ Used for all kinds of full color LED screens.
- ◆ Can be used in outside, very stable and reliable.
- ◆ Detect water level value in real time. It can be widely used in some tunnels, low-lying areas of city.

Installing

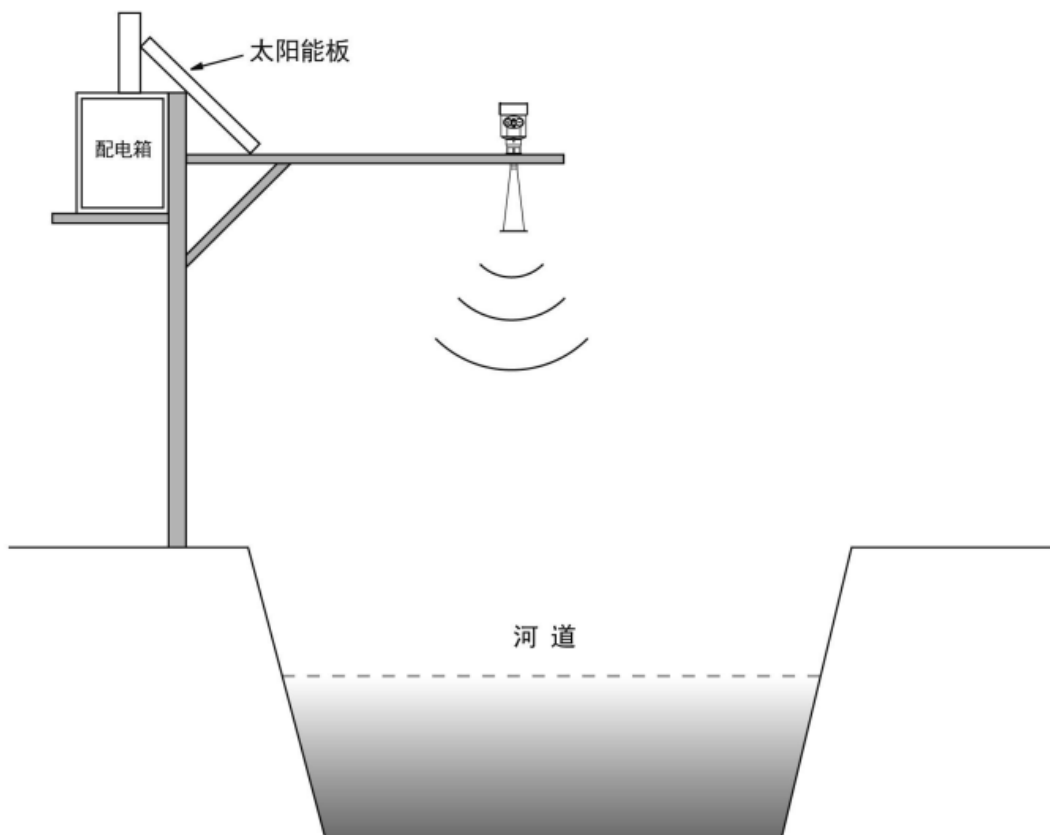


Instrument materials: ABS engineering plastic、PP

Size: $\Phi 92\text{mm} \times 198\text{mm} \times \text{M60}$ 、 $\Phi 92\text{mm} \times 270\text{mm} \times \text{DN80}$

Electric port: M20X1.5 (two groups)

Install port: M60X2 or $\Phi 61\text{MM}$ circular hole (use big nut)、DN80 non-standard flange



Connection definition

When you connect, numbers for this products should be corresponded with the numbers on controller.

- ⑤ connect with DC12V+
- ⑥ connect with DC12V-
- ⑨ connect with 4mA
- ③ connect with RS485 (A)
- ④ connect with RS485 (B)

Technical specification

Parameters	Specification
Range	0-10m
Dead zone	< 0.4~0.6m
Maximum allowed error	±0.3%FS
Rated working voltage	12VDC
Power dissipation	< 1.5W
Output method	RS485
Working environment	Normal temperature and voltage

Contact Us

Shanghai ONBON Technology Co.,ltd (Headquarters)

Address: 7 Floor, Tower 88, 1199#, North Qinzhou Road, Xuhui District, Shanghai City, China

Tel Phone: 086-21-64955136

Fax: 086-21-64955136

Website: www.onbonbx.com

ONBON (Jiangsu) Optoelectronic Industrial Co.,LTD

Address: 1299#, Fuchun Jiang Road, Kunshan City, Jiangsu Province, China

Sales Contacts

Tel: 0086-15921814956 0086-15800379719

Email: onbon@onbonbx.com

Second Development

Tel: 0512-66589212

Email: dev@onbonbx.com

iLEDCloud

Website: <http://www.iledcloud.com/>



Public Wechat



ONBON APP